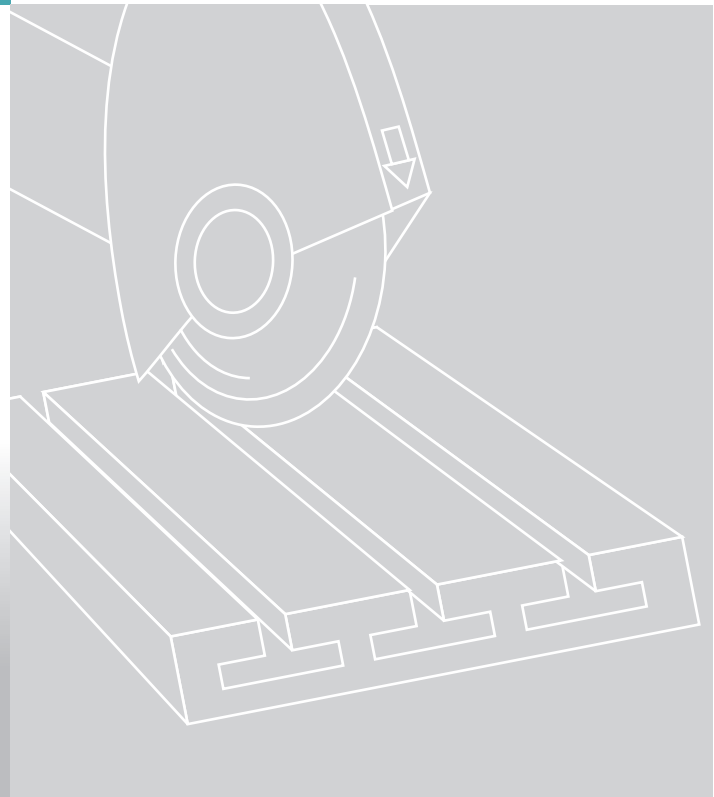


# BAINCUT XL



Extra Large Heavy-duty  
Abrasive Cutter

**Chennai Metco**

# BAINCUT XL SPECIFICATIONS

- Sturdy floor model cutter for sectioning Metallography Samples
- Heavy Duty Steel construction
- 15 HP, 3 Phase Motor
- Cutting Capacity upto 150 mm
- Cut-off wheel dia 16"/20"
- Spindle speed 1440 rpm
- Splash proof, Corrossion resistant see-through enclosure
- Cooling by high flow water jets to provide optimum Cooling (5 nos)
- In-built movable coolant tank with 200 ltrs capacity
- One large drain for coolant recirculation
- ½ HP Recirculation Pumps ( 2 numbers)
- Flash cleaning attachment with hook for mounting
- Fluorescent light in the working area provides safe & clear illumination
- Start button with key for safety
- T-Slot Bed, Screw Vise
- Machine Size: 1900 x 1710 x 2070 mm



**XL Auto, XXL and XXL Auto also available**



**Chennai Metco Pvt Ltd**

SP 100A, Ambattur Industrial Estate, Chennai - 600 058, India.  
Ph: 044-2688 0737, 044-2688 0005, Fax: (044) 2688 0850,  
e-mail: [mktg@chennaietco.com](mailto:mktg@chennaietco.com), web : [www.chennaietco.com](http://www.chennaietco.com)